

AIS-VHF Antenna Splitter

Exceptional active antenna switching performance



The AIS-VHF splitter makes it possible to share the VHF antenna of AIS systems with the existing VHF antenna. A good solution for sailing yachts or RIBs, where placing of extra whip antennas which must not influence each other, is a problem.

The new True Heading AIS-VHF splitter is improved compared to the old version because there is no more signal loss, due to the applied patent pending, innovative active switching technology as well as lower power consumption.

Due to its size and the use of standard connectors, the AIS-VHF splitter is very easy to install.

Should the power supply fail, the splitter will automatically choose the VHF antenna for safety reasons.

The splitter can also be used for receiving FM/DAB radio, which makes this product more versatile.

The product is fully tested and certified to the relevant international standards and product specifications. This makes the AIS-VHF splitter a reliable accessory.

The splitter is compact, waterproof and applicable for all brands of AIS transponders* and receivers

*due to CCR regulations, the use for AIS-inland systems is not allowed).



Sales office:

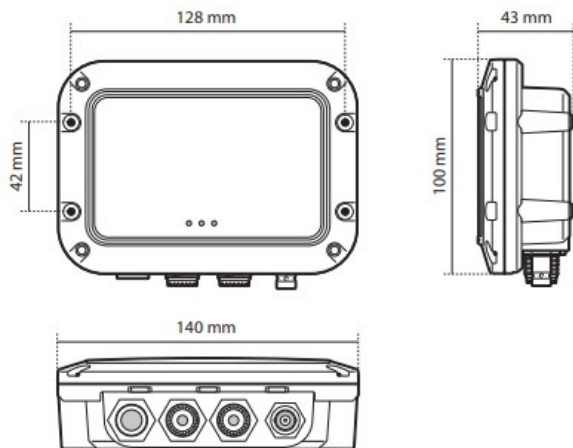
Shiptron Trading BV,

De Dolfijn 24, 1601MG Enkhuizen, The Netherlands tel.: +31228317004 email: info@shiptrontrading.com

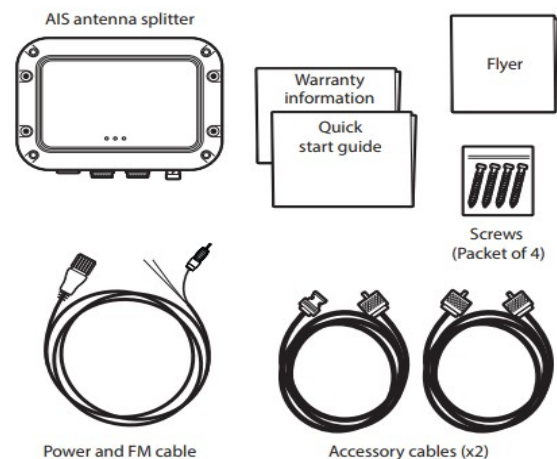
TECHNICAL SPECIFICATIONS

Dimensions	140 x 100 x 42 mm (L x W x H)
Weight	250g (AIS receiver unit only)
Power	DC (9.6 - 31.2V) Average power consumption <2W average Current consumption <150mA at 12VDC
VHF and AIS frequency range	156MHz to 163 MHz
Insertion loss	AIS & VHF receive paths, 0dB AIS & VHF transmit paths, <1dB
Switching time	Receive to AIS transmit, <10 μ s Receive to VHF transmit, <10 μ s
Max input power, AIS port	12.5W
Max input power, VHF port	25W
Minimum input power, VHF port	100mW
AIS, VHF and Antenna port impedance	50 Ohms
FM port impedance	75 Ohms
Connectors	VHF antenna in/output SO239 connector VHF radio out/input SO239 connector AIS out/input BNC connector
Supplied with	2m power & FM cable 1m VHF radio interface cable 1m AIS interface cable Quick Start guide & link to digital manual Fixing Screws
User interfaces	LED indicator for power, VHF TX and AIS TX
Standards Compliance	IEC60945 Ed.4
Environmental	Operating temperature: -10°C to +55°C
Ingress Protection rating	IPx7

Dimensions:



What's in the box?



This document is Shiptron Trading BV copyright. Shiptron's policy is focused on continuous research and development. Therefore, Shiptron reserves the right to change specifications without prior notice.



Sales office:

Shiptron Trading BV,
De Dolfijn 24, 1601MG Enkhuizen, The Netherlands tel.: +31228317004 email: info@shiptrontrading.com